

1.00 mm. FCC/FPC TOP ENTRY ZIF CONNec.



1760 SERIES. 1.00mm (0.039") Pitch.

General Features

- Available in 4 through 32 circuits
- Zero insertion force(ZIF) and high retention force
- Accept 0.30 mm thickness FPC
- Easy for FPC installation and reliable operation

Materials

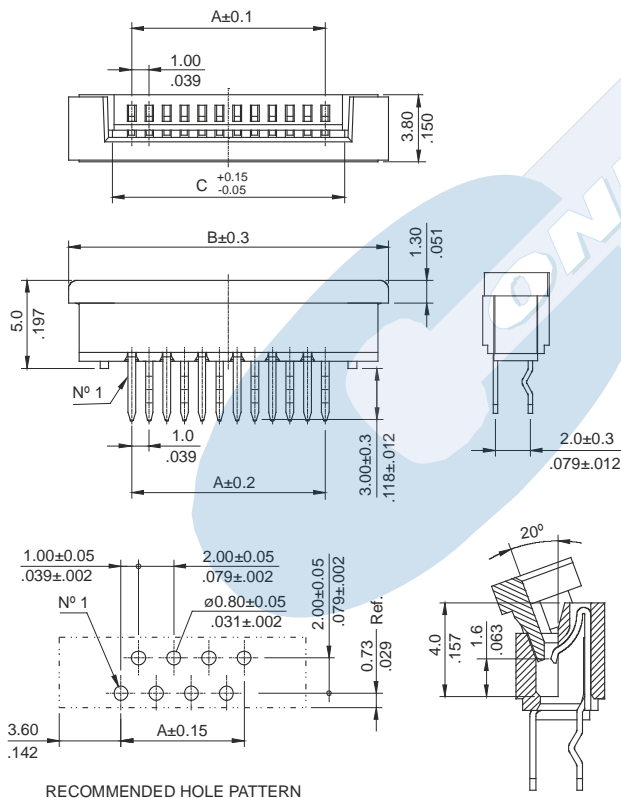
- Body: Nylon 6T UL 94 V-0
- Slider: Nylon 6T UL 94 V-0
- Contact: Phosphor bronze
- Operating temperature: -40°C to + 85°C
- RoHS compliant

Electrical Features

- Voltage rating: < 100 V
- Current rating: < 0.50 A
- Contact resistance: < 30 mΩ
- Dielectric Withstanding Voltage: 500 V AC/minute
- Insulation Resistance: >500 MΩ

Mechanical Features

- Contact retaining force in insulator: > 0.30 Kgf
- FPC withdrawal force:
 - Over 10 circuits > 0.20 + 0.04 Kgf/contact
 - Under 10 circuits > 0.10 + 0.04 Kgf/contact
- Durability: 20 cycles



Ordering Information:

1760 - 2- XX- 1
 1 2 3

1. Connector Series

2. (T) Contact Plating

- T = 2. Tin plated

3. (XX) Number of circuits

- Available in 4 through 32 circuits

DIMENSIONS:

A = 1.00 x (xx-1)

B = 1.00 x (xx) + 6.20

C = 1.00 x (xx) + 1.10

*(XX) = Circuits (4 through 32)

