

1.00 mm. FCC/FPC TOP ENTRY LIF CONNEC.



1762 SERIES. 1.00mm (0.039") Pitch.

General Features

- Available in 3 through 32 circuits
- Low insertion force(LIF) and high retention force
- Accept 0.30 mm thickness FPC
- Easy for FPC installation and reliable operation

Materials

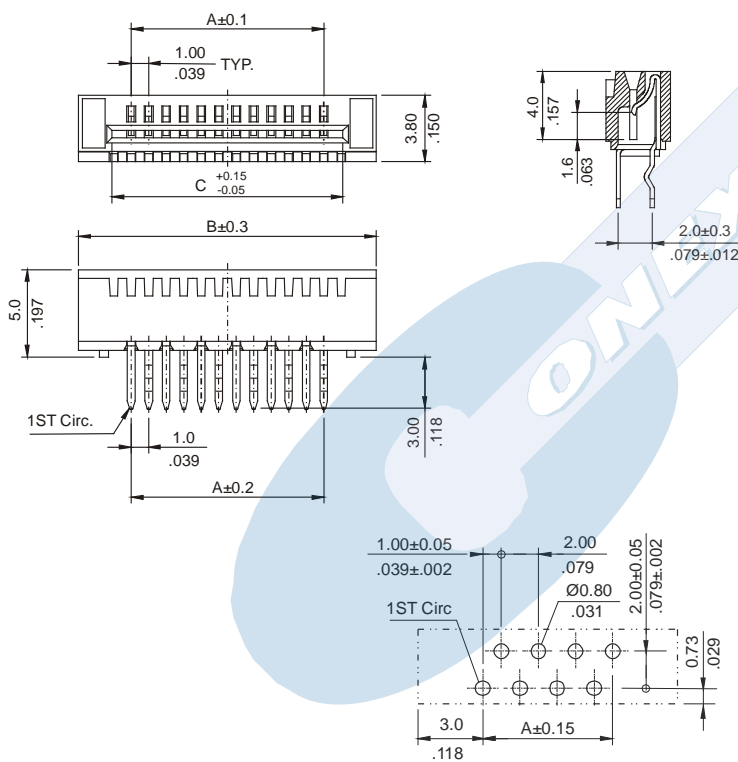
- Body: Nylon 10T UL 94 V-0
- Contact: Phosphor bronze
- Operating temperature. -40°C to + 85°C
- RoHS compliant

Electrical Features

- Voltage rating: < 100 V
- Current rating: < 0.50 A
- Contact resistance: < 30 mΩ
- Dielectric Withstanding Voltage: 500 V AC/minute
- Insulation Resistance: >500 MΩ

Mechanical Features

- Contact retaining force in insulator: > 0.30 Kgf
- FPC withdrawal force: 0.050 Kgf/contact
- Durability: 20 cycles



Ordering Information:

1762 - 2- XX- 1

1 2 3

1. Connector Series

2. (T) Contact Plating

- T = 2. Tin plated

3. (XX) Number of circuits

- Available in 3 through 32 circuits

DIMENSIONS:

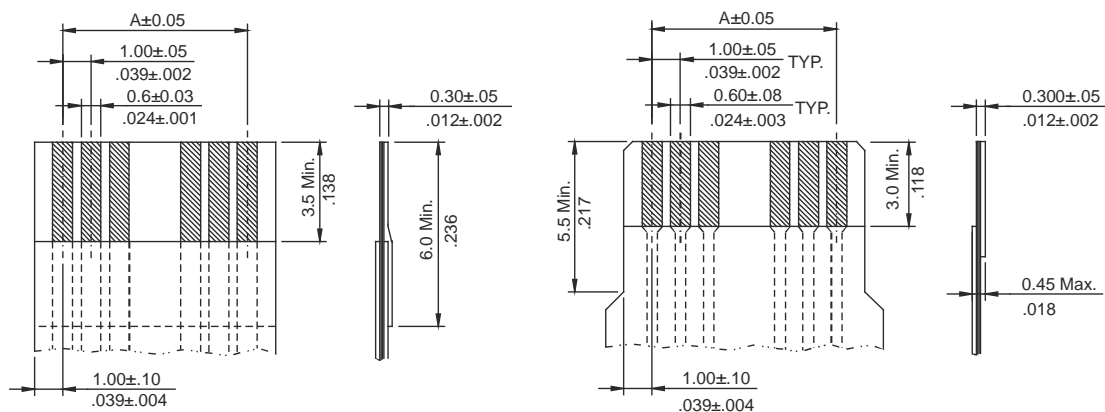
A = 1.00 x (xx-1)

B = 1.00 x (xx) + 5.00

C = 1.00 x (xx) + 1.10

*(XX) = Circuits (3 through 32)

RECOMMENDED HOLE PATTERN



ACCOMMODATED FFC

ACCOMMODATED FPC