

# 0.50 mm. FCC/FPC SIDE ENTRY ZIF SMT CON.



## 1781 SERIES. 0.50mm (0.020") Pitch. With Back Flip.

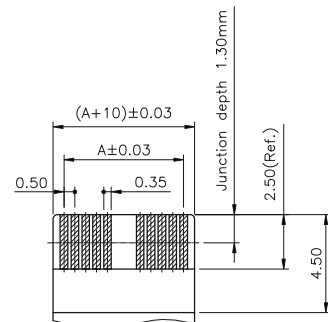
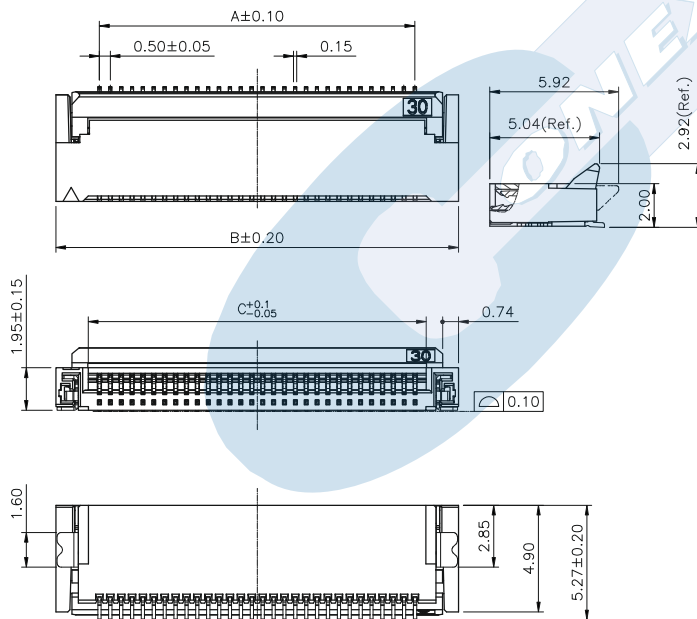
### General Features

- Available in 2, 6, 8, 9, 10, 12, 20, 22, 24, 26, 30, 36, 40, 45, and 60 circuits
- Zero insertion force and high retention force (Back flip)
- Accept 0.30 mm thickness FPC. Dual side contact
- Easy for FPC installation and reliable operation
- With metal fixed SMT tabs to secure connector on PCB
- Low profile 2.00 mm.

### Materials

- Body: LCP UL 94 V-0
- Slider: LCP UL 94 V-0
- Contact: Phosphor bronze
- Fixed tab: Brass
- Operating temperature. -40°C to + 85°C
- RoHS compliant

### Dimensions



Recommended FPC/FFC Dimension  
Thickness: 0.3±0.03mm

### DIMENSIONS:

$$A = 0.5 \times (xx^* - 1)$$

$$B = 0.5 \times (xx^*) + 3.50$$

$$C = 0.5 \times (xx^*) + 0.7$$

\*(XX) = Circuits (2 through 60)

### Electrical Features

- Voltage rating: < 50 V
- Current rating: < 0.40 A
- Contact resistance: < 30 mΩ
- Dielectric Withstanding Voltage: 250 V AC/minute
- Insulation Resistance: >100 MΩ

### Mechanical Features

- Contact retaining force in insulator: > 0.08 Kg
- FPC withdrawal force: > 0.015 Kg/contact
- Durability: 20 cycles

### Ordering Information:

**1781 - 2- XX- 1- E**  
1            2            3            4

#### 1. Connector Series

#### 2. (T) Contact Plating

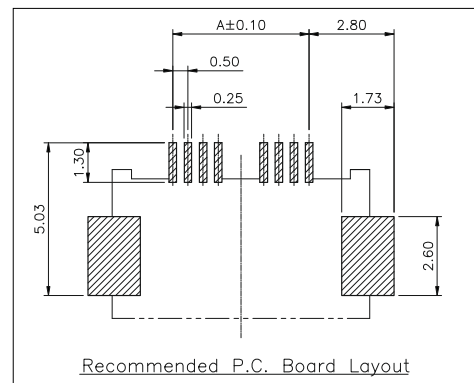
- T = 2. Tin plated

#### 3. (XX) Number of circuits

- Available in 2 through 60 circuits

#### 4. (E) Packing Options

- E = 1. Tube
- E = 2. Reel + Pad



Recommended P.C. Board Layout