

1.25 mm. FCC/FPC SIDE ENTRY ZIF CONNEC.



2127 SERIES. 1.25mm (0.049") Pitch.

General Features

- Available in 3 through 32 circuits
- Zero insertion force(ZIF) and high retention force
- Accept 0.30 mm thickness FPC
- Easy for FPC installation and reliable operation

Materials

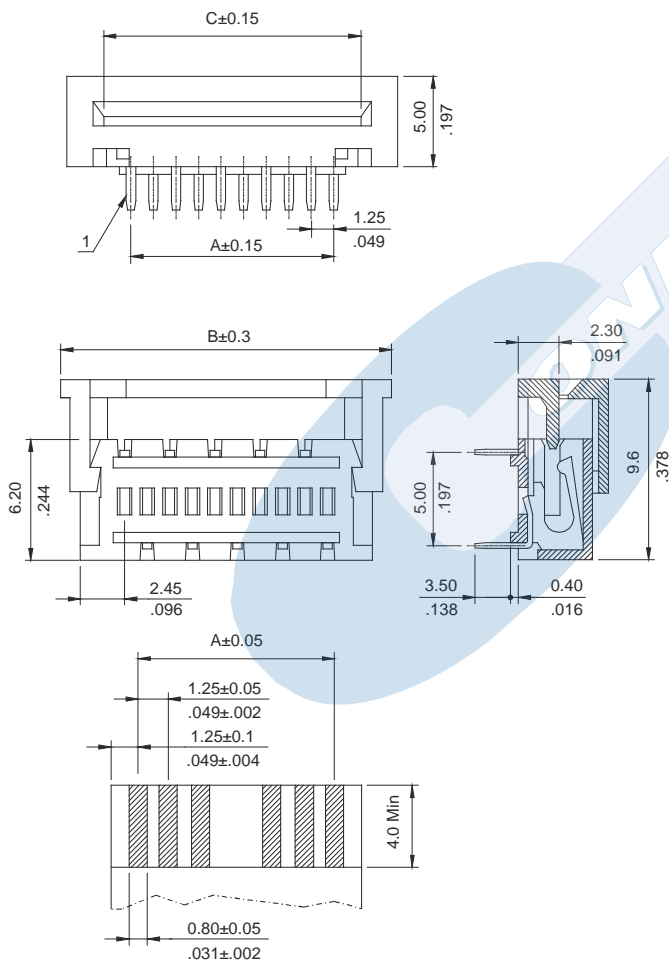
- Body: Polyester+GF UL 94 V-0
- Contact: Phosphor bronze
- Operating temperature. -40°C to + 85°C
- RoHS compliant

Electrical Features

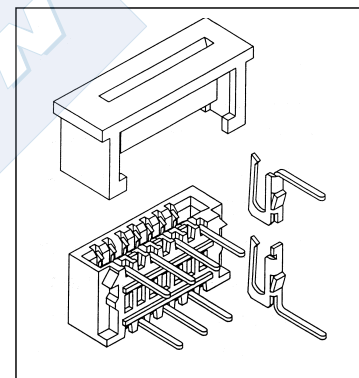
- Voltage rating: < 200 V
- Current rating: < 1.00 A
- Contact resistance: < 20 mΩ
- Dielectric Withstanding Voltage: 500 V AC/minute
- Insulation Resistance: >500 MΩ

Mechanical Features

- Contact retaining force in insulator: > 0.50 Kgf
- FPC withdrawal force: Over 10 circ. = 0.04+0.05 Kgf/contact
Under 10 circuits 0.15+0.05 Kgf/contact
- Durability: 20 cycles



Accommodated FPC/FFC
(Thickness: 0.3mm ± 0.05)



Ordering Information:

2127 - 2- XX- 1
1 2 3

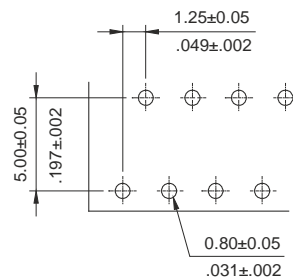
1. Connector Series

2. (T) Contact Plating

- T = 2. Tin plated

3. (XX) Number of circuits

- Available in 3 through 32 circuits



DIMENSIONS:

A = 1.25 x (xx-1)
B = 1.25 x (xx) + 5.80
C = 1.25 x (xx) + 1.45

*(XX) = Circuits (3 through 32)

RECOMMENDED HOLE PATTERN