

CRIMP FEMALE TERMINAL



3512 SERIES. 3.50 mm. (0.138") mm. Pitch.

General Features

- Accommodates wire range AWG 24 through 28
- Use in housing 3.50 mm. pitch 3510 series
- Dual beam contact tin plated locking lance
- Maximum insulation diameter 1.45 mm (0.057")

Materials

- Contact: Phosphor bronze tin plated
- Operating temperature -25°C to +85°C

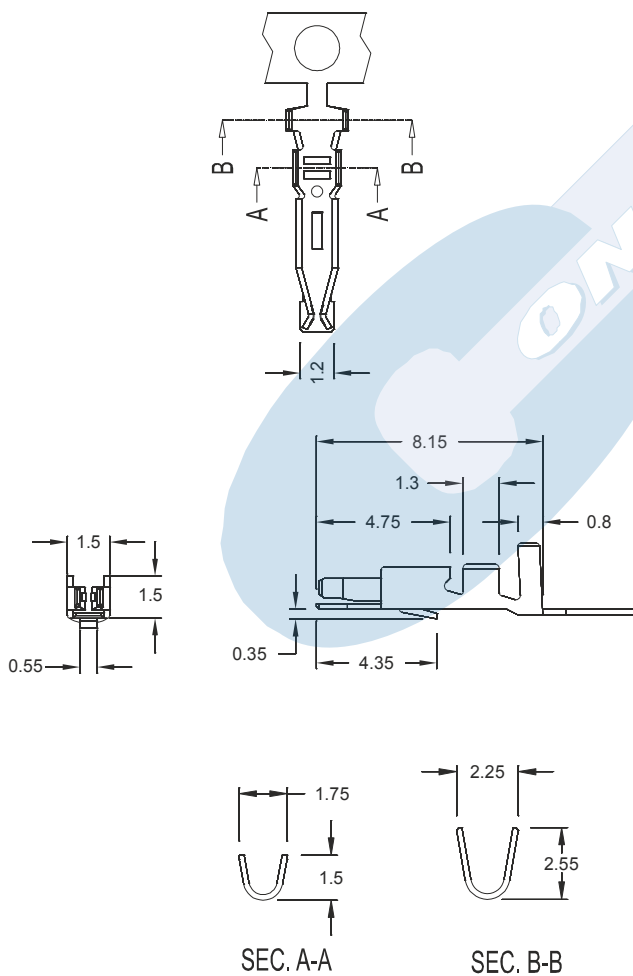
Electrical Features

- Current rating: < 1 A
- Contact resistance: < 10 mΩ

Mechanical Features

- Durability: 25 cycles
- Wire pull-out force:
 - 3.00 Kgf 24 AWG
 - 2.00 Kgf 26 AWG
 - 1.30 Kgf 28 AWG

Dimensional Information



3512 - T - 00 - E
1 2

1. Terminal Series

2. (T) Contact Plating

- T = 2. Tin plated

2. (E) Packing Options

- E = 0. Chain
- E = 1. Loose Piece