

CRIMP FEMALE TERMINAL NANO POWER



5724 – 5726 SERIES. 2.50 (0.098”) mm. Pitch.

General Features

- Accommodates wire range AWG 20 through 26
- Use in housing 2.50 mm. pitch 5720 and 5730 series
- Box contact with dual beam fin plated locking lance
- Maximum insulation diameter 1.57 mm (0.062")
- 5724 for 24-26 AWG and 5726 for 20-22 AWG

Materials

- Contact: High conductivity cooper alloy tin plated
- Operating temperature: -40°C to +105°C

Electrical Features

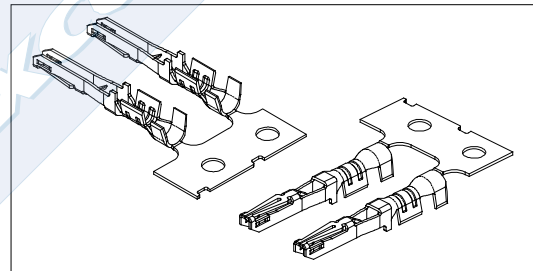
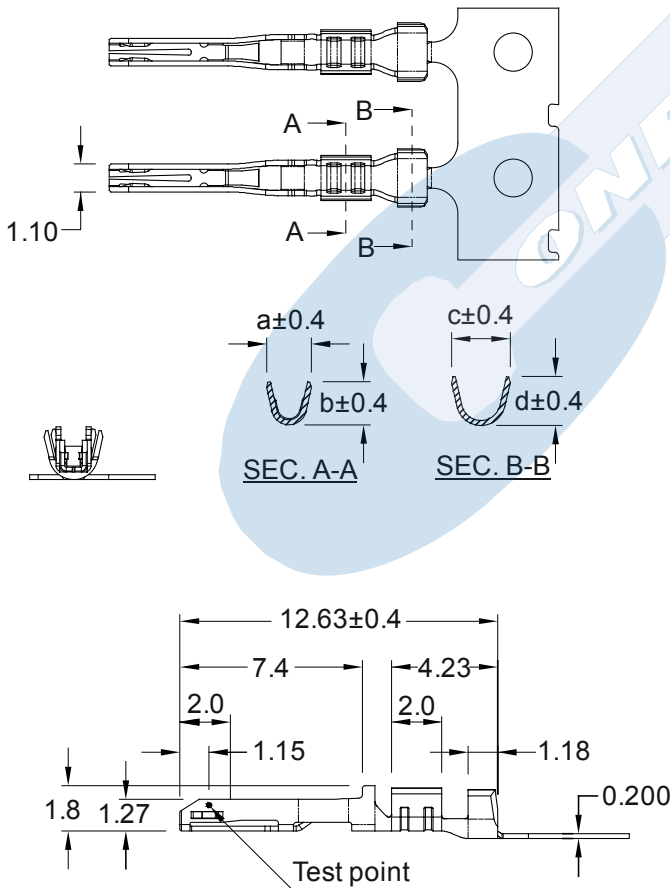
- Current rating: < 4 A
- Contact resistance: < 10 mΩ

Mechanical Features

- Durability: 25 cycles
- Wire pull-out force:

7.00 Kgf	20 AWG
5.00 Kgf	22 AWG
3.00 Kgf	24 AWG
2.50 Kgf	26 AWG

Dimensional Information



5724 / 5726 - T- 00- E

1

2

1. Terminal Series

- **5724** for 24-26 AWG
- **5726** for 20-22 AWG

2. (T) Contact Plating

- T = 2. Tin plated

2. (E) Packing Options

- E = 0. Chain
- E = 1. Loose Piece

Series	Wire Size		Dimensions			
	AWG	∅ Max. Insulator	a	b	c	d
5724	24-26	1.27 mm.	1.39	1.45	2.12	2.0
5726	20-22	1.57 mm.	1.78	1.71	2.33	1.94