

3.00 mm. S/ ROW MICRO POWER HOUSING



5750 SERIES. 3.00 mm. (0.118") pitch. Plug / Receptacle housing.

General Features

- Available in 2 through 12 circuits
- Mates with 5750 crimp housing and 3.00 mm. pin header 5751, 5752, 5766, 5767, 5768 and 5769 series.
- Polarised with positive locking system
- Use crimp terminal 5741 and 5742 series
- Allows wire to wire and wire to PCB connections
- Applicable panel thickness: 0.80 to 2.0 mm

Materials

- Insulator: PA66 UL 94 V-0
- Operating temperature: -40°C to +105°C
- RoHS compliant

Electrical Features

- Voltage rating: < 250V
- Current rating: < 5 A
- Contact resistance: < 10 mΩ
- Dielectric withstanding voltage: 500 V AC/minute
- Insulation resistance: >1000 MΩ

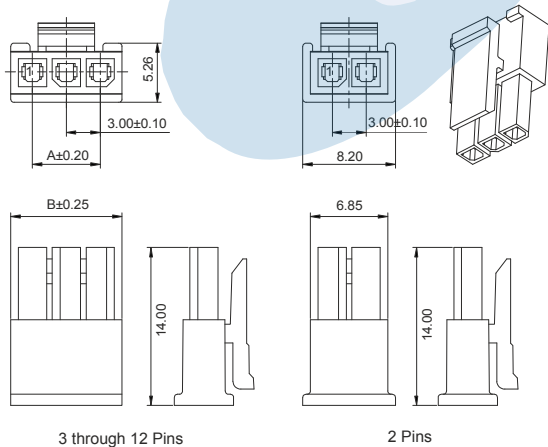
Mechanical Features

- Contact retention force to the housing: < 2.50 Kgf
- Insertion force to header: < 0.70 Kgf/pin
- Withdrawal force from header: < 0.275 Kgf/pin
- Durability: 25 cycles

Dimensional Information

CIRCUITS	Current Max.	Voltage max.	Part Number		Dimensions		
			RECEPTACLE	PLUG	A	B	C
2	5 A	250	5750 - 1021	5750 - 2021	3.00 (0.118)	6.90 (0.272)	7.21 (0.284)
3	5 A	250	5750 - 1031	5750 - 2031	6.00 (0.236)	9.90 (0.390)	10.21 (0.402)
4	5 A	250	5750 - 1041	5750 - 2041	9.00 (0.354)	12.90 (0.508)	13.21 (0.520)
5	5 A	250	5750 - 1051	5750 - 2051	12.00 (0.472)	15.90 (0.626)	16.21 (0.638)
6	5 A	250	5750 - 1061	5750 - 2061	15.00 (0.591)	18.90 (0.744)	19.21 (0.756)
7	5 A	250	5750 - 1071	5750 - 2071	18.00 (0.709)	21.90 (0.862)	22.20 (0.874)
8	5 A	250	5750 - 1081	5750 - 2081	21.00 (0.827)	24.90 (0.980)	25.20 (0.992)
9	5 A	250	5750 - 1091	5750 - 2091	24.00 (0.945)	27.90 (1.098)	28.20 (1.110)
10	5 A	250	5750 - 1101	5750 - 2101	27.00 (1.063)	30.90 (1.217)	31.22 (1.229)
11	5 A	250	5750 - 1111	5750 - 2111	30.00 (1.181)	33.90 (1.335)	34.22 (1.347)
12	5 A	250	5750 - 1121	5750 - 2121	33.00 (1.300)	36.90 (1.452)	37.22 (1.465)

RECEPTACLE CONNECTOR



PLUG CONNECTOR

