

4.14 mm. MINI POWER HOUSING



6710 SERIES. 4.14 mm. (0.163") pitch. Plug / Receptacle housing.

General Features

- Available in 1, 2, 3, 4 (1x4 or 2x2), 6, 8, 9, 10, 12 (2x6 or 3x4) 14, 15, 16, 18, 20, 22 and 24 circuits
- Mates with 4.14 mm. pitch 6710 crimp housing and pin headers 6715 and 6716 series.
- Polarised with positive locking system
- Use crimp terminal 6711, 6712, 6713 and 6714 series
- Allows wire to wire and wire to PCB connections
- Applicable panel thickness: 0.80 to 2.0 mm

Materials

- Insulator: Nylon 6/6 UL 94 V-0
- Operating temperature: -25°C to +105°C
- RoHS compliant

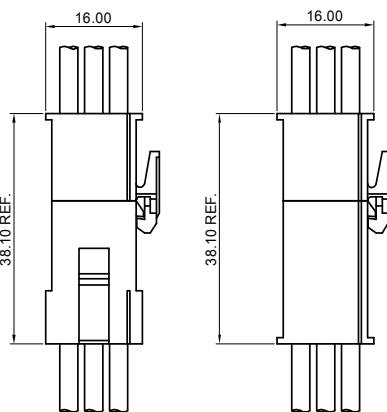
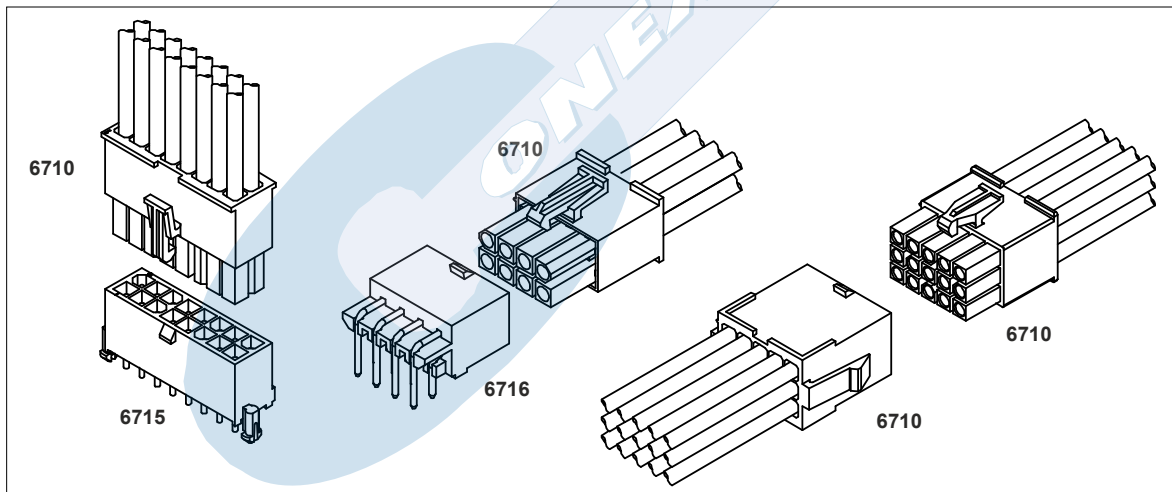
Electrical Features

- Voltage rating: < 600V
- Current rating: < 9 A
- Contact resistance: < 20 mΩ
- Dielectric withstanding voltage: 1500 V AC/minute
- Insulation resistance: >1000 MΩ

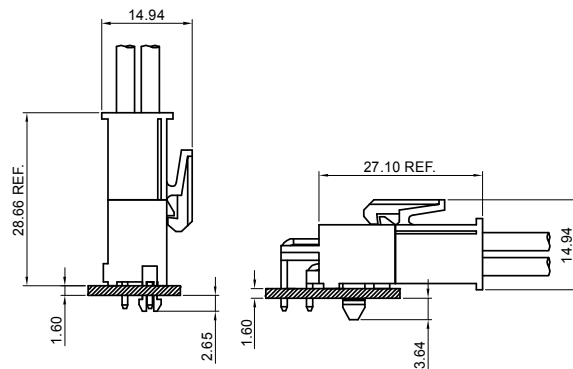
Mechanical Features

- Contact retention force to the housing: < 3.0 Kgf
- Insertion force to header: < 0.70 Kgf/pin
- Withdrawal force from header: < 0.05 Kgf/pin
- Durability: 25 cycles

Dimensional Information



WIRE TO WIRE

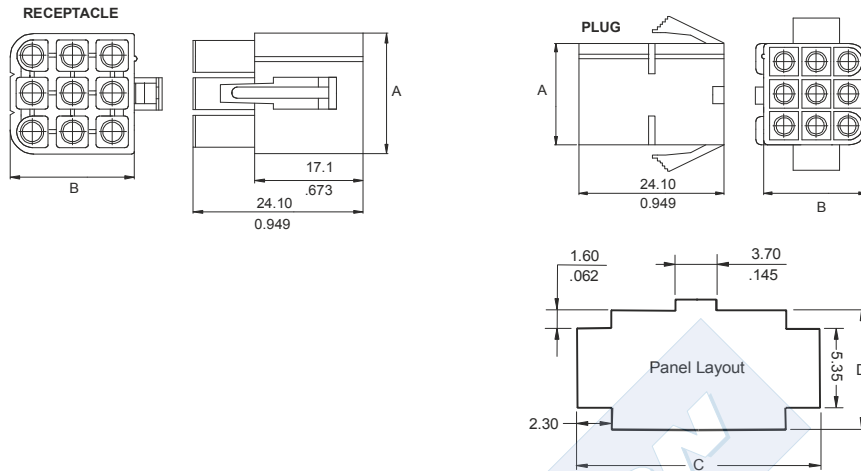


WIRE TO BOARD

4.14 mm. MINI POWER HOUSING



6710 SERIES. 4.14 mm. (0.163") pitch. Plug / Receptacle housing.



RECEPTACLE

Circuit Size	Part Number		Dimensions			
	With ears	Without ears	A	B	C	D
1	-	6710 - 1011	05.60	6.60	-	-
2	-	6710 - 1021	05.60	10.8	-	-
3	-	6710 - 1031	05.60	15.0	-	-
4(2x2)	-	6710 - 1041	10.00	12.10	-	-
4(1x4)	-	6710 - 1043	05.60	19.15	-	-
6	-	6710 - 1061	14.10	12.00	-	-
8	-	6710 - 1081	18.24	12.00	-	-
9	-	6710 - 1091	14.10	16.20	-	-
10	-	6710 - 1101	22.38	12.00	-	-
12 (2x6)	-	6710 - 1121	26.52	12.00	-	-
12 (3x4)	-	6710 - 1123	18.30	16.20	-	-
14	-	6710 - 1141	30.66	12.00	-	-
15	-	6710 - 1151	22.40	16.20	-	-
16	-	6710 - 1161	34.80	12.00	-	-
18	-	6710 - 1181	38.94	12.00	-	-
20	-	6710 - 1201	43.08	12.00	-	-
22	-	6710 - 1221	47.22	12.00	-	-
24	-	6710 - 1241	51.36	12.00	-	-

PLUG

Circuit Size	Part Number		Dimensions			
	With ears	Without ears	A	B	C	D
1	-	6710 - 2012	05.60	8.20	-	-
2	6710 - 2021	6710 - 2022	05.60	12.40	6.40	10.60
3	6710 - 2031	6710 - 2032	05.60	15.00	6.40	14.80
4(2x2)	6710 - 2041	6710 - 2042	10.00	12.10	6.40	19.0
4(1x4)	6710 - 2043	6710 - 2044	5.60	19.15	10.60	10.60
6	6710 - 2061	6710 - 2062	14.10	12.00	14.80	10.60
8	6710 - 2081	6710 - 2082	18.24	12.00	18.90	10.60
9	6710 - 2091	6710 - 2092	14.10	16.20	14.80	14.80
10	6710 - 2101	6710 - 2102	22.38	12.00	23.0	10.60
12 (2x6)	6710 - 2121	6710 - 2122	26.52	12.00	19.0	14.80
12 (3x4)	6710 - 2123	6710 - 2124	18.30	16.20	27.1	10.60
14	6710 - 2141	6710 - 2142	30.66	12.00	31.2	10.60
15	6710 - 2151	6710 - 2152	22.40	16.20	23.2	14.80
16	6710 - 2161	6710 - 2162	34.80	12.00	35.3	10.60
18	6710 - 2181	6710 - 2182	38.94	12.00	39.4	10.60
20	6710 - 2201	6710 - 2202	43.08	12.00	43.5	10.60
22	6710 - 2221	6710 - 2222	47.22	12.00	47.6	10.60
24	6710 - 2241	6710 - 2242	51.36	12.00	51.7	10.60