

# 4.20 mm. SINGLE ROW MINI POWER HOUS.



## 6739 SERIES. 4.20 mm. (0.165") pitch. Plug / Receptacle housing.

### General Features

- Available in 2 through 12 circuits
- Mates with 4.20 mm. pitch 6739 crimp housing and 6736 and 6737 series
- Polarised with positive locking system
- Use crimp terminal 6741, 6742, 6743, 6744, 6747 and 6748 series
- Allows wire to wire and wire to PCB connections
- Applicable panel thickness: 0.80 to 2.0 mm

### Materials

- Insulator: Nylon 66 UL 94 V-0
- Operating temperature: -40°C to +105°C
- RoHS compliant

### Dimensional Information

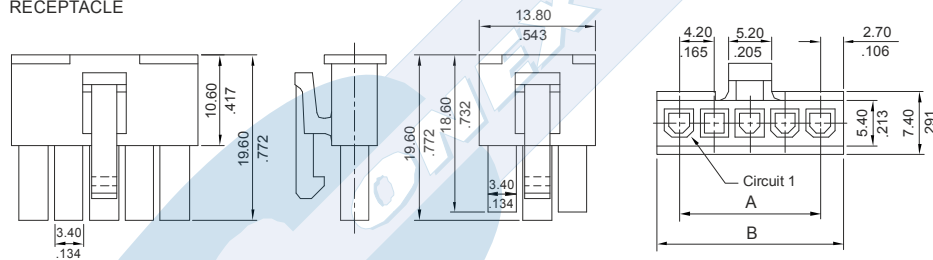
### Electrical Features

- Voltage rating: < 600 V
- Current rating 18 AWG: Circuits 2-3 (7A), 4-6 (6A), 8-12 (4 A)
- Contact resistance: < 10 mΩ
- Dielectric withstanding voltage: 1500 V AC/minute
- Insulation resistance: >1000 MΩ

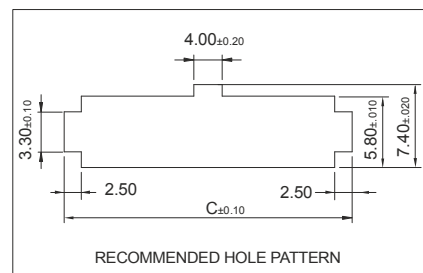
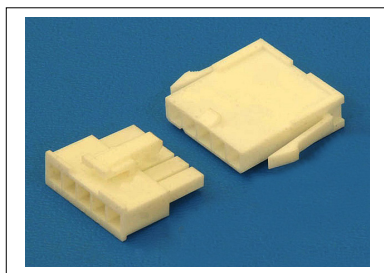
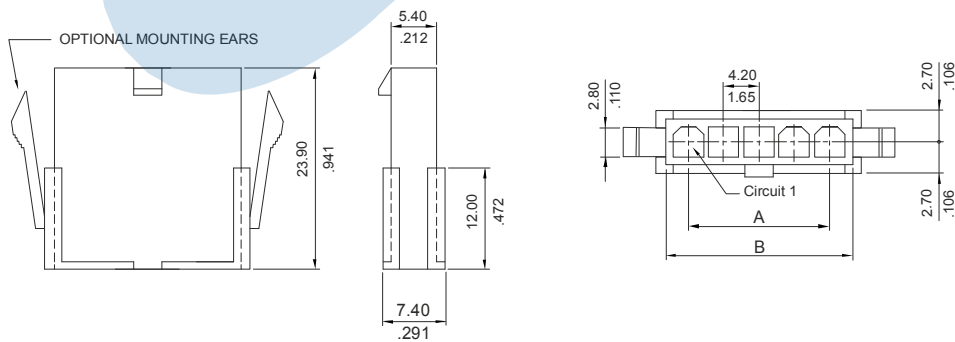
### Mechanical Features

- Contact retention force to the housing: < 5.0 Kgf
- Insertion force to header: < 0.70 Kgf/pin
- Withdrawal force from header: < 0.10 Kgf/pin
- Contact insertion force: < 1.50 Kgf
- Durability: 25 cycles

RECEPTACLE



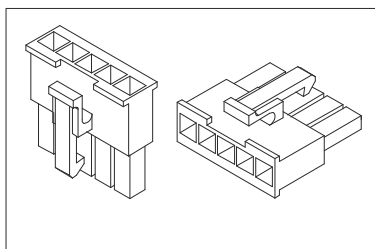
PLUG



# 4.20 mm. SINGLE ROW MINI POWER HOUS.

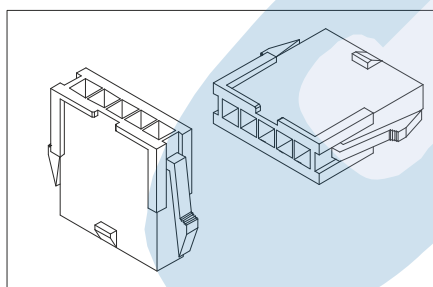


## 6739 SERIES. 4.20 mm. (0.165") pitch. Plug / Receptacle housing.



### RECEPTACLE

Circuit Size	Current Rating Amps	Voltage	Part Number		Dimensions		
			UL 92V-2	UL 92V-0	A	B	C
2	5	250	6739 - 1021	6739 - 1022	4,20(0,165)	9,80(0,385)	-
3	5	250	6739 - 1031	6739 - 1032	8,40(0,331)	14,00(0,551)	-
4	5	250	6739 - 1041	6739 - 1042	12,60(0,496)	18,20(0,716)	-
5	5	250	6739 - 1051	6739 - 1052	16,80(0,661)	22,40(0,881)	-
6	5	250	6739 - 1061	6739 - 1062	21,00(0,827)	26,60(1,047)	-
7	5	250	6739 - 1071	6739 - 1072	25,20(0,992)	30,80(1,212)	-
8	5	250	6739 - 1081	6739 - 1082	29,40(1,157)	35,00(1,378)	-
9	5	250	6739 - 1091	6739 - 1092	33,60(1,323)	39,20(1,543)	-
10	5	250	6739 - 1101	6739 - 1102	37,80(1,488)	43,40(1,709)	-
11	5	250	6739 - 1111	6739 - 1112	42,00(1,654)	47,60(1,874)	-
12	5	250	6739 - 1121	6739 - 1122	46,20(1,819)	51,80(2,039)	-



### PLUG

Circuit Size	Part Number				Dimensions		
	UL 92V-2 (With ears)	UL 92V-0 (With ears)	UL 92V-2 (Without ears)	UL 92V-0 (Without ears)	A	B	C
2	6739 - 2021	6739 - 2022	6739 - 2023	6739 - 2024	4,20(0,165)	9,80(0,385)	15,20(0,598)
3	6739 - 2031	6739 - 2032	6739 - 2033	6739 - 2034	8,40(0,331)	14,00(0,551)	19,40(0,764)
4	6739 - 2041	6739 - 2042	6739 - 2043	6739 - 2044	12,60(0,496)	18,20(0,716)	23,60(0,929)
5	6739 - 2051	6739 - 2052	6739 - 2053	6739 - 2054	16,80(0,661)	22,40(0,881)	27,80(1,094)
6	6739 - 2061	6739 - 2062	6739 - 2063	6739 - 2064	21,00(0,827)	26,60(1,047)	32,00(1,260)
7	6739 - 2071	6739 - 2072	6739 - 2073	6739 - 2074	25,20(0,992)	30,80(1,212)	36,20(1,425)
8	6739 - 2081	6739 - 2082	6739 - 2083	6739 - 2084	29,40(1,157)	35,00(1,378)	40,40(1,590)
9	6739 - 2091	6739 - 2092	6739 - 2093	6739 - 2094	33,60(1,323)	39,20(1,543)	44,60(1,756)
10	6739 - 2101	6739 - 2102	6739 - 2103	6739 - 2104	37,80(1,488)	43,40(1,709)	48,80(1,921)
11	6739 - 2111	6739 - 2112	6739 - 2113	6739 - 2114	42,00(1,654)	47,60(1,874)	53,00(2,087)
12	6739 - 2121	6739 - 2122	6739 - 2123	6739 - 2124	46,20(1,819)	51,80(2,039)	57,20(2,252)